

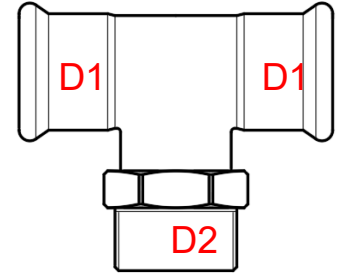
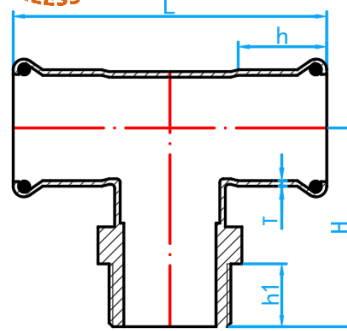
STAINLESS STEEL 316L PRESS FIT FITTINGS (M PROFILE)



COMPLY WITH BSEN1254-2: 1998



MI TEE



CROSS SECTIONAL VIEW

DIMENSIONS

SKU	SIZE D1xD1xD2 (mm x mm x inch)	L (mm)	H (mm)	h (mm)	h1 (mm)	T (mm)	WEIGHT (kg)	PCS/CTN
SS316LPFNMIT01515	15×15×1/2" BSPT	70	36	20	15	1.5	0.070	200
SS316LPFNMIT02015	22×22×1/2" BSPT	76	38	21	15	1.5	0.090	140
SS316LPFNMIT02020	22×22×3/4" BSPT	76	43	21	16	1.5	0.110	100
SS316LPFNMIT02515	28×28×1/2" BSPT	87	40	23	15	1.5	0.125	80
SS316LPFNMIT02520	28×28×3/4" BSPT	87	45	23	16	1.5	0.140	80
SS316LPFNMIT02525	28×28×1" BSPT	87	48	23	18	1.5	0.160	70
SS316LPFNMIT03515	35×35×1/2" BSPT	100	46	26	15	1.5	0.167	50
SS316LPFNMIT03520	35×35×3/4" BSPT	100	48	26	16	1.5	0.175	50
SS316LPFNMIT03525	35×35×1" BSPT	100	53	26	18	1.5	0.200	50
SS316LPFNMIT03535	35×35×11/4" BSPT	100	58	26	20	1.5	0.250	50
SS316LPFNMIT04215	42×42×1/2" BSPT	118	50	31	15	1.5	0.220	48
SS316LPFNMIT04220	42×42×3/4" BSPT	118	52	31	16	1.5	0.240	48
SS316LPFNMIT04225	42×42×1" BSPT	118	54	31	18	1.5	0.260	45
SS316LPFNMIT04235	42×42×11/4" BSPT	118	60	31	20	1.5	0.300	42
SS316LPFNMIT04242	42×42×11/2" BSPT	118	62	31	20	1.5	0.313	35
SS316LPFNMIT05015	54×54×1/2" BSPT	142	59	36	15	1.5	0.320	44
SS316LPFNMIT05020	54×54×3/4" BSPT	142	63	36	16	1.5	0.340	40
SS316LPFNMIT05025	54×54×1" BSPT	142	66	36	18	1.5	0.360	32
SS316LPFNMIT05035	54×54×11/4" BSPT	142	67	36	20	1.5	0.401	35
SS316LPFNMIT05042	54×54×11/2" BSPT	142	68	36	20	1.5	0.420	30
SS316LPFNMIT05050	54×54×2" BSPT	142	76	36	23	1.5	0.485	28
SS316LPFNMIT06525	67×67×1" BSPT	202	71	52	18	1.8	0.745	10
SS316LPFNMIT06550	67×67×2" BSPT	202	82	55	25	1.8	0.925	10
SS316LPFNMIT06565	67×67×21/2" BSPT	202	84	55	28	1.8	1.005	10
SS316LPFNMIT08050*	76×76×2" BSPT	230	88	55	27	2.0	1.130	10
SS316LPFNMIT10050*	108×108×2" BSPT	310	105	80	27	2.0	2.040	3
SS316LPFNMIT10080*	108×108×3" BSPT	310	110	80	30	2.0	2.410	3

*This item requires special ordering. Please consult with a salesperson for the estimated lead time.